

Item	Description	HP Part No.	Qty
1	Screw, M4 x 8 mm	0515-0910	2
2	Septum Nut Assy	19243-60500	1
3	Septa (Pkg of 24)	5080-8728	1
4	Insulation Plate (Retainer) (used on older models)	19243-00050	1
5	Insulation	19231-00080	1
6	Injection Port Weldment	19243-80500	1
7	Heater/Sensor Cable Assy	05890-61140	1
8	● Heater, 70 W	19231-60620	1
9	● Contact	1251- 1679	2
10	● PRT Sensor	19231-60660	1
11	● Contact	1251- 5963	2
12	● Flexible Sleeving (ordered by the inch) 1/4 inch x 22 inch	0890- 0737	22
13	Vespel Ferrule, 1/4 inch	0100-1061	1
14	Brass Nut, 1/4 inch	0100-0056	1
15	Liner: (Refer to Figure 6)		1
16	Top Cover (used on newer models)	19243- 00080	1
17	Top Insulation (used with new top cover only)	19243- 00100	1

Figure 2. Packed Column Inlet (Sheet 1 of 2).

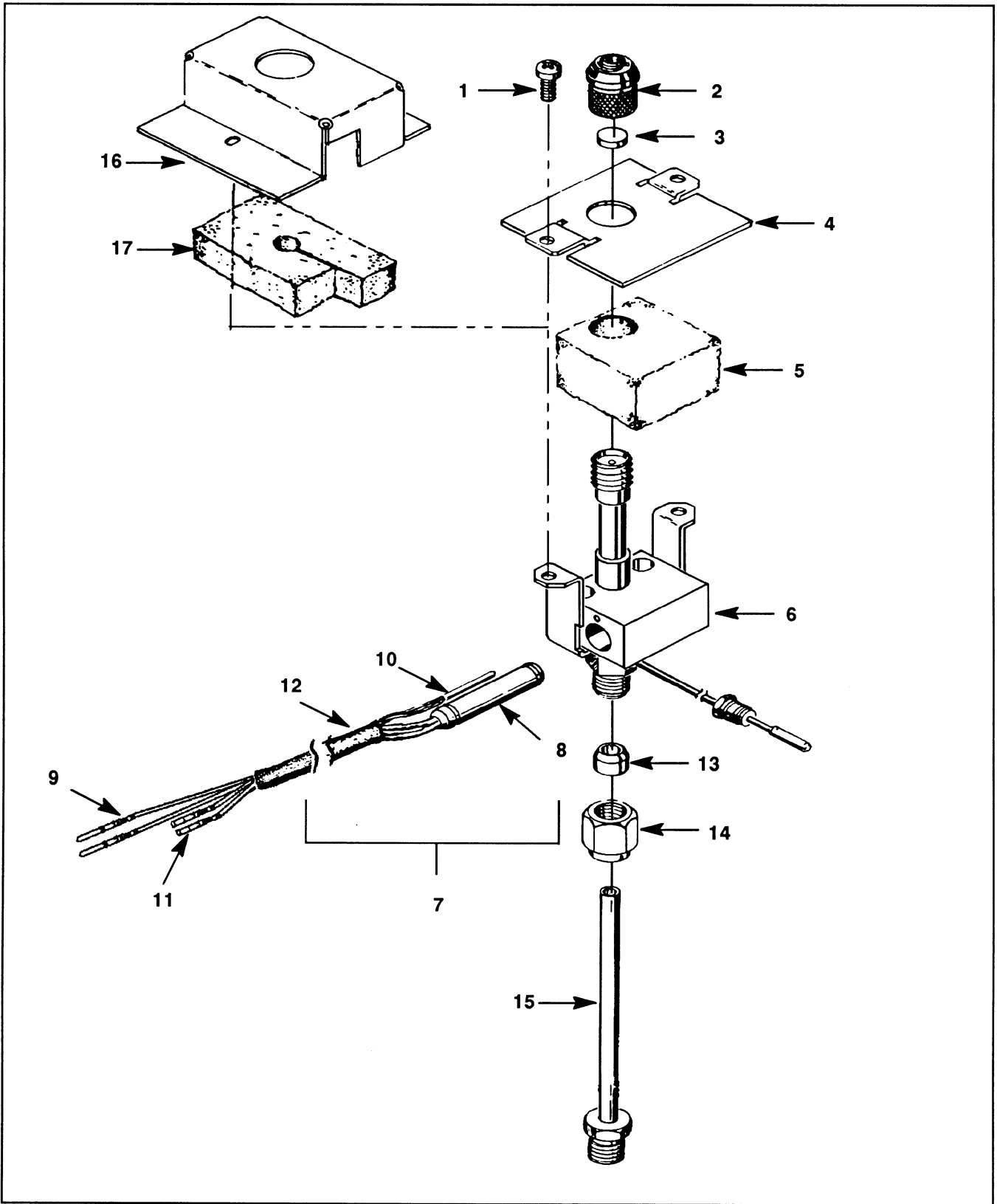


Figure 2. Packed Column Inlet (Sheet 2 of 2).